

Low Profile Busplugs Type IC

Use

These Busplugs are designed to enter through an opening of less than 12mm high in the busbar zone partition, therefore making shutters unnecessary on withdrawable type switchboards.

They provide an 'off-load' disconnectable link between the busbar system and the short circuit protective device. They may also be used on the load-side connections in a fully withdrawable system.



Technical

		IC1160	IC1250	IC1400
Rated Thermal Current	(A)	160A	250A	400A
Rated Operational Voltage	Ue (VAC)		690	
Rated Insulation Voltage	Ui (VAC)		690	
Short Circuit Current	(kA)		50	
Frequency	(Hz)		40-60	
Max. Operating Temperature	(°C)		110	
Contact Resistance	(mΩ)	100	50	35
Pinch Force	(N)	47	47	73
Insertion Force	(N)	25	50	80

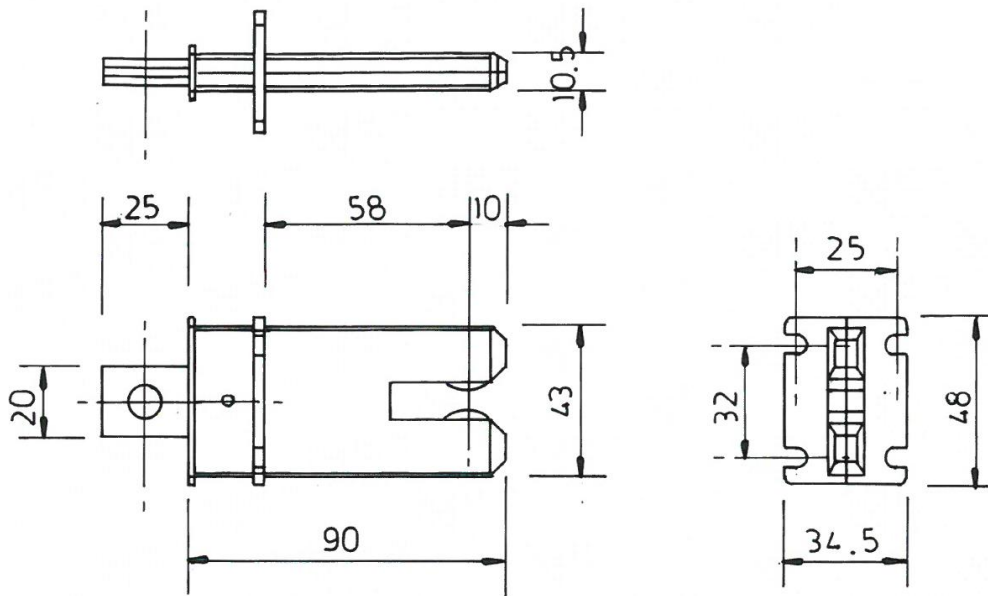
- Short circuit rating with short-circuit protective device

Construction

Contacts are made from 2mm thick, silver plated copper. Contact pressure is maintained by a steel spring.

The housing is injection moulded from type 6/6 glass filled nylon. The material is self extinguishing and listed as UL 94V-O, is Halogen Free with a Limiting oxygen index of 30%.

Dimensions



KENTAN ENGINEERING

A.B.N. 21 009 217 654

Units 1-4, 8 Carole Road (Main Office Unit 3)
MADDINGTON, Western Australia 6109

PO Box 284
MADDINGTON, Western Australia 6989

International Telephone: +61 8 9493 5255

National Telephone: (08) 9493 5255

Email: sales@kentan.com.au

Internet: www.kentan.com.au



KENTAN ENGINEERING IS A QUALITY ASSURED COMPANY